

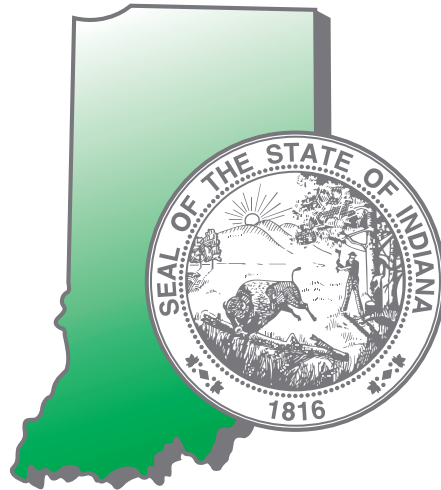
ISTEP+ 2017

Indiana Statewide Testing for Educational Progress-Plus

Part 1 Practice Test

Grade 5

Mathematics • English/Language Arts • Social Studies



Student Name: _____

Use only a Number 2 pencil to respond to the questions in this book. Responses written in pen CANNOT be scored.



Pearson

Developed and published under contract with State of Indiana Department of Education by Pearson. Copyright © 2017 by State of Indiana Department of Education. All rights reserved. No part of this publication may be reproduced or distributed in any form or by any means, or stored in a database or retrieval system, without the prior written permission of State of Indiana Department of Education.

Mathematics

NOTE: A correct answer **CANNOT** receive full credit if no work is shown.

Since you may receive partial credit for all problems in this test, it is important to show ALL work in the spaces provided in this book. When you see the words **Show All Work**, be sure to

- **show all the steps needed to solve the problem**
- **make your handwriting clear and easy to read**
- **write the answer on the answer line**

As you complete each problem, remember to

- READ** the problem carefully
- PLAN** how to solve the problem
- SOLVE** the problem showing all steps
- CHECK** your work

STOP! ——— STOP! ——— STOP! ——— STOP! ———



Section 1: Mathematics

1. A company is changing the size of the candles it makes. The original candle was a rectangular prism with a length of 8 inches, a width of 6 inches, and a height of 10 inches.

Part A

What was the volume, in cubic inches, of the original candle?

Show All Work

Answer _____ cubic inches

Part B

The new candle is also a rectangular prism, but each dimension is 2 inches less than it was in the original candle. What is the volume, in cubic inches, of the new candle?

Show All Work

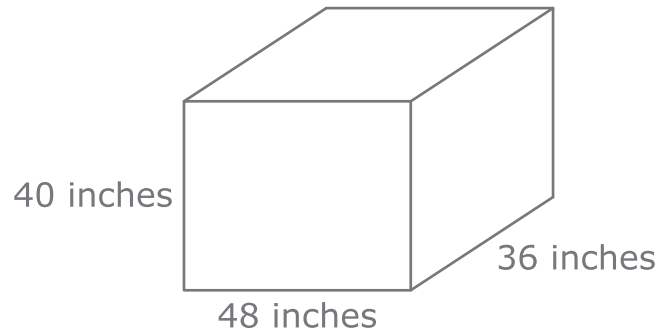
Answer _____ cubic inches

GO ON 

Section 1: Mathematics

Part C

The shipping box used for the candles is shown.



How many MORE of the new candles can fit in the shipping box, compared with the original candles?

Show All Work

Answer _____ more new candles

STOP! - - - - STOP! - - - - STOP! - - - - STOP! - - - -



ATTENTION!
Do NOT go on
until you are
told to do so.



SECTION

1

English/Language Arts

In this section, you will read a passage and then answer a question about what you have read. You may look at the passage as often as you like.

STOP! ——— STOP! ——— STOP! ——— STOP! ———



Section 1: English/Language Arts

Directions

Read the article “Why Do Cats Love Boxes and Bags?” Then answer the question.

Why Do Cats Love Boxes and Bags?

- 1 An Internet search of the phrase “cats in small spaces” will result in endless videos and photographs of felines wedging themselves into tight quarters. Desk drawers, laundry baskets, shoes, and boots are often inviting places. However, none are favored more than boxes and bags. What accounts for the appeal that these small spaces have for cats?
- 2 The confines of cardboard boxes or paper shopping bags provide cats with what they regard as a safe place. By instinct, cats think they will be less at risk of an attack by a predator. At the same time, boxes or bags provide cats with hideouts from which they can engage¹ in stalking behavior. For house cats, this may mean pouncing swiftly from within the hiding place of a shipping carton to snag a human ankle or gently waving curtain. Then the cats can swiftly retreat inside once again.
- 3 A box or bag is to a cat what a den is to a lion. Like their wild relatives, domestic cats spend a great deal of time sleeping. They may sleep about 16 hours a day. Den-like enclosures such as empty boxes make good places to snooze. They are dark and safe. And since cardboard and paper are good insulators, boxes and bags make warm and cozy retreats as well. When cats are not sleeping in boxes or bags, their sleeping areas double as play spaces. Cats enjoy batting at box flaps and creating rustling noises by jumping in and on paper surfaces.
- 4 Because cats love boxes and bags, providing entertainment for a pet cat is easy. Find a discarded cardboard box or stiff paper bag, not plastic. Cut out a few windows from which a cat can peek and poke. After playtime, the box or bag can double as a comfortable place to nap. Placing a small towel on the bottom will make the space even more inviting to a cat.

¹engage—to take part in

Section 1: English/Language Arts

- 5 Curiously, although cat carriers are no bigger than a shipping carton, cats will often avoid them. Perhaps that is because most cats associate the carriers with a visit to the pet doctor. If cats are given the opportunity to explore their carriers as places to sleep and play, cats may become more comfortable with them. The carriers will seem like just another box or bag.
- 6 Sometimes the boxes or bags cats choose are very small. How can cats fit into very small spaces? Cats can fit into the most unlikely places because of their skeletal systems. The spines of cats are very flexible. Soft tissue covers the areas between all the bones in their spines. Cats also lack stiff collarbones like the ones humans have. These traits make cats extremely flexible. They can tuck their heads and corkscrew into containers half their apparent size. Hence the amusing shots on the Internet of cats in teakettles, egg cartons, and glass jars!

Who Let the Cat Out of the Bag?

You may have heard the expression “Let the cat out of the bag.” This expression means to tell a secret. A likely origin for the phrase is a practice dating back to the medieval marketplace. When someone bought a small animal, the vendor often put it into a sack so it could be carried home. Vendors would sometimes try to trick a customer by replacing a piglet or fine rooster with a stray cat. If the customer let the cat out of the bag too soon, the hoax was discovered.

Section 1: English/Language Arts

1. How do a cat's instincts affect the way it plays in boxes and bags? Support your answer with details from the article.

STOP! ——— STOP! ——— STOP! ——— STOP! ———



ATTENTION!
Do NOT go on
until you are
told to do so.



ATTENTION!
Do NOT go on
until you are
told to do so.



English/Language Arts

In this section, you will reread the passage from Section 1 and then respond to the writing prompt based on the passage. You may look at the passage as often as you like.

Your writing will not be scored on your personal opinions or choices but will be scored objectively on

- how clearly you address the prompt
- how well you organize your ideas
- how effectively you express yourself
- how consistently you use correct paragraphing, grammar, spelling, and punctuation

Be sure to use the rules of Standard English. Standard English is the English commonly used in formal writing. It does not include slang or jargon.

NOTE: Only your writing on the lined pages in this book will be scored.

In this Part 1 Practice Test, you will read only one passage. In the ISTEP+ English/Language Arts Part 1 Test, different passages will be used for each section.

STOP! ——— STOP! ——— STOP! ——— STOP! ———

A green octagonal sign with the word "STOP" in white capital letters.

Section 2: English/Language Arts

Directions

Read the article “Why Do Cats Love Boxes and Bags?” Then answer the question.

Why Do Cats Love Boxes and Bags?

- 1 An Internet search of the phrase “cats in small spaces” will result in endless videos and photographs of felines wedging themselves into tight quarters. Desk drawers, laundry baskets, shoes, and boots are often inviting places. However, none are favored more than boxes and bags. What accounts for the appeal that these small spaces have for cats?
- 2 The confines of cardboard boxes or paper shopping bags provide cats with what they regard as a safe place. By instinct, cats think they will be less at risk of an attack by a predator. At the same time, boxes or bags provide cats with hideouts from which they can engage¹ in stalking behavior. For house cats, this may mean pouncing swiftly from within the hiding place of a shipping carton to snag a human ankle or gently waving curtain. Then the cats can swiftly retreat inside once again.
- 3 A box or bag is to a cat what a den is to a lion. Like their wild relatives, domestic cats spend a great deal of time sleeping. They may sleep about 16 hours a day. Den-like enclosures such as empty boxes make good places to snooze. They are dark and safe. And since cardboard and paper are good insulators, boxes and bags make warm and cozy retreats as well. When cats are not sleeping in boxes or bags, their sleeping areas double as play spaces. Cats enjoy batting at box flaps and creating rustling noises by jumping in and on paper surfaces.
- 4 Because cats love boxes and bags, providing entertainment for a pet cat is easy. Find a discarded cardboard box or stiff paper bag, not plastic. Cut out a few windows from which a cat can peek and poke. After playtime, the box or bag can double as a comfortable place to nap. Placing a small towel on the bottom will make the space even more inviting to a cat.

¹engage—to take part in

Section 2: English/Language Arts

- 5 Curiously, although cat carriers are no bigger than a shipping carton, cats will often avoid them. Perhaps that is because most cats associate the carriers with a visit to the pet doctor. If cats are given the opportunity to explore their carriers as places to sleep and play, cats may become more comfortable with them. The carriers will seem like just another box or bag.
- 6 Sometimes the boxes or bags cats choose are very small. How can cats fit into very small spaces? Cats can fit into the most unlikely places because of their skeletal systems. The spines of cats are very flexible. Soft tissue covers the areas between all the bones in their spines. Cats also lack stiff collarbones like the ones humans have. These traits make cats extremely flexible. They can tuck their heads and corkscrew into containers half their apparent size. Hence the amusing shots on the Internet of cats in teakettles, egg cartons, and glass jars!

Who Let the Cat Out of the Bag?

You may have heard the expression “Let the cat out of the bag.” This expression means to tell a secret. A likely origin for the phrase is a practice dating back to the medieval marketplace. When someone bought a small animal, the vendor often put it into a sack so it could be carried home. Vendors would sometimes try to trick a customer by replacing a piglet or fine rooster with a stray cat. If the customer let the cat out of the bag too soon, the hoax was discovered.

Section 2: English/Language Arts

1. You have just read an article about why house cats like small spaces. Think about how cats have adapted to their environment. Write an essay explaining why cats seem to prefer spending time in small spaces. Use details from the article in your essay.

Be sure to include

- details from the article about how cats adapt to their environment
- an explanation of why house cats prefer spending time in small spaces
- an introduction, a body, and a conclusion for your essay

Use the following Prewriting/Planning page to help you plan your writing. Then write your final draft on the lined pages.

GO ON 

Section 2: English/Language Arts

Use the blank Prewriting/Planning space below for notes, lists, webs, outlines, or anything else that might help you plan your writing. If you need additional paper for planning, raise your hand and your teacher will give you more paper. **You must write your final draft on the lines beginning at the top of the next page.**

Prewriting/Planning

GO ON 

Section 2: English/Language Arts

Use the Editing Checklist at the end of this section. Check your writing for correct grammar, spelling, punctuation, and capitalization. **Remember, your writing should be well organized.**

A large rectangular box containing 25 horizontal lines for writing.

GO ON 

Section 2: English/Language Arts

A large rectangular box containing 25 horizontal lines for writing.

Section 2: English/Language Arts

A large rectangular box containing 25 horizontal lines for writing.

GO ON 

ATTENTION!
Do NOT go on
until you are
told to do so.



Social Studies

In this section, you will read the questions and then write your answers to the questions on the lines provided.

STOP! ----- STOP! ----- STOP! ----- STOP! -----



Section 1: Social Studies

1. Use the simplified excerpt from the journal of Christopher Columbus during his first voyage to America to answer the question.

October 19, 1492

I believe there are many plants and trees here that would be worth a lot in Spain for use as dyes, spices, and medicines, but to my great sorrow I do not recognize them.

Even though Columbus could not identify the plants and trees he describes in the excerpt, his exploration was still considered successful.

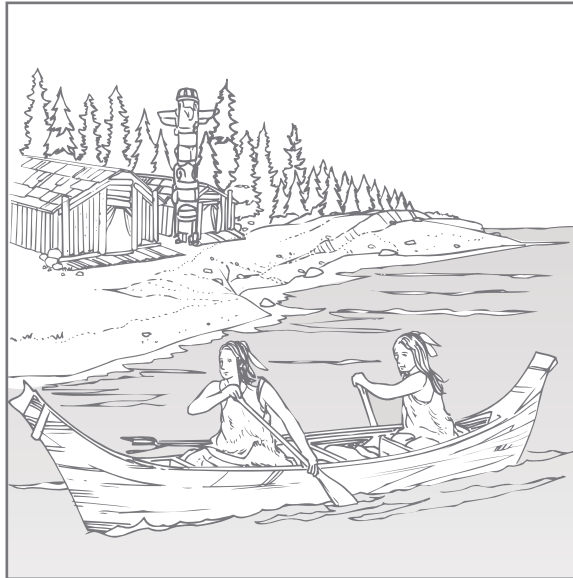
Describe TWO economic reasons the discoveries described may have helped convince Spain to fund additional exploration of the Americas.

- 1) _____

- 2) _____

2. The pictures show how two Native American Indian groups adapted to their physical environment.

Makah of the Northwest



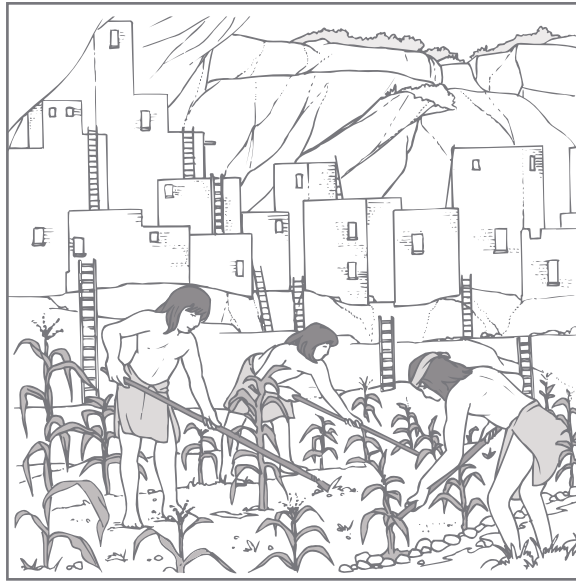
Using information from this picture, describe TWO ways the Makah adapted to their physical environment.

- 1) _____

- 2) _____

Section 1: Social Studies

Anasazi of the Southwest



Using information from this picture, describe TWO ways the Anasazi adapted to their physical environment.

- 1) _____

- 2) _____

STOP! ----- STOP! ----- STOP! ----- STOP! -----



ATTENTION!
Do NOT go on
until you are
told to do so.



ISTEP+

Indiana Statewide Testing for Educational
Progress-Plus



Part 1 Practice Test

Mathematics • English/Language Arts • Social Studies

Grade 5



Pearson



IN00001487